



**Electrolux**  
PROFESSIONAL

**Floor Drains and Collecting Tanks**  
**Floor Drain with Stainless Steel Grate**  
**and Side Drain - Vertical outlet 400x950**  
**mm**

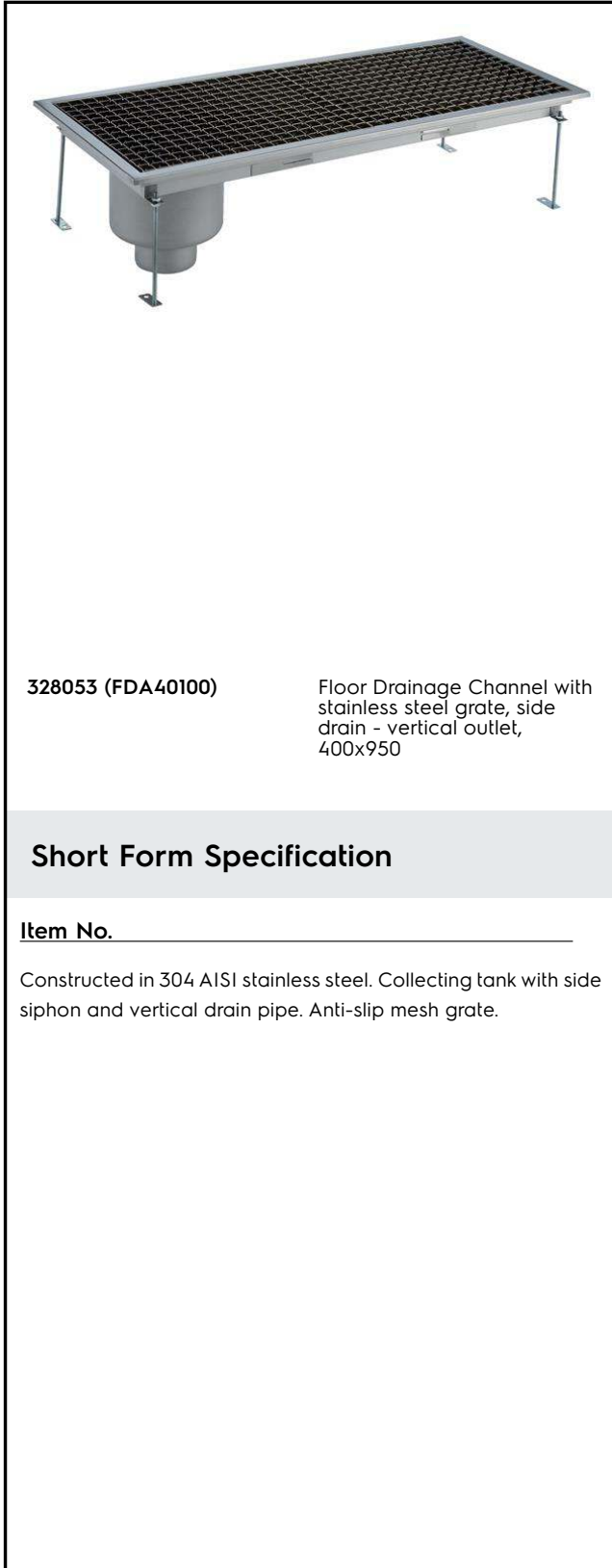
ITEM # \_\_\_\_\_

MODEL # \_\_\_\_\_

NAME # \_\_\_\_\_

SIS # \_\_\_\_\_

AIA # \_\_\_\_\_



**328053 (FDA40100)**

Floor Drainage Channel with stainless steel grate, side drain - vertical outlet, 400x950

**Short Form Specification**

Item No. \_\_\_\_\_

Constructed in 304 AISI stainless steel. Collecting tank with side siphon and vertical drain pipe. Anti-slip mesh grate.

**Main Features**

- Easy to install.
- Anti-odour syphon.
- Removable waste blocking filter.
- Rag bolt for floor fixing.
- Easy to inspect for any possible waste removal action.
- Electrochemical finishing gives grids a bright appearance.
- Ideal for any drain solution, particularly suggested for great amounts of water drained during cleaning operations.
- Collecting tanks with side siphon.

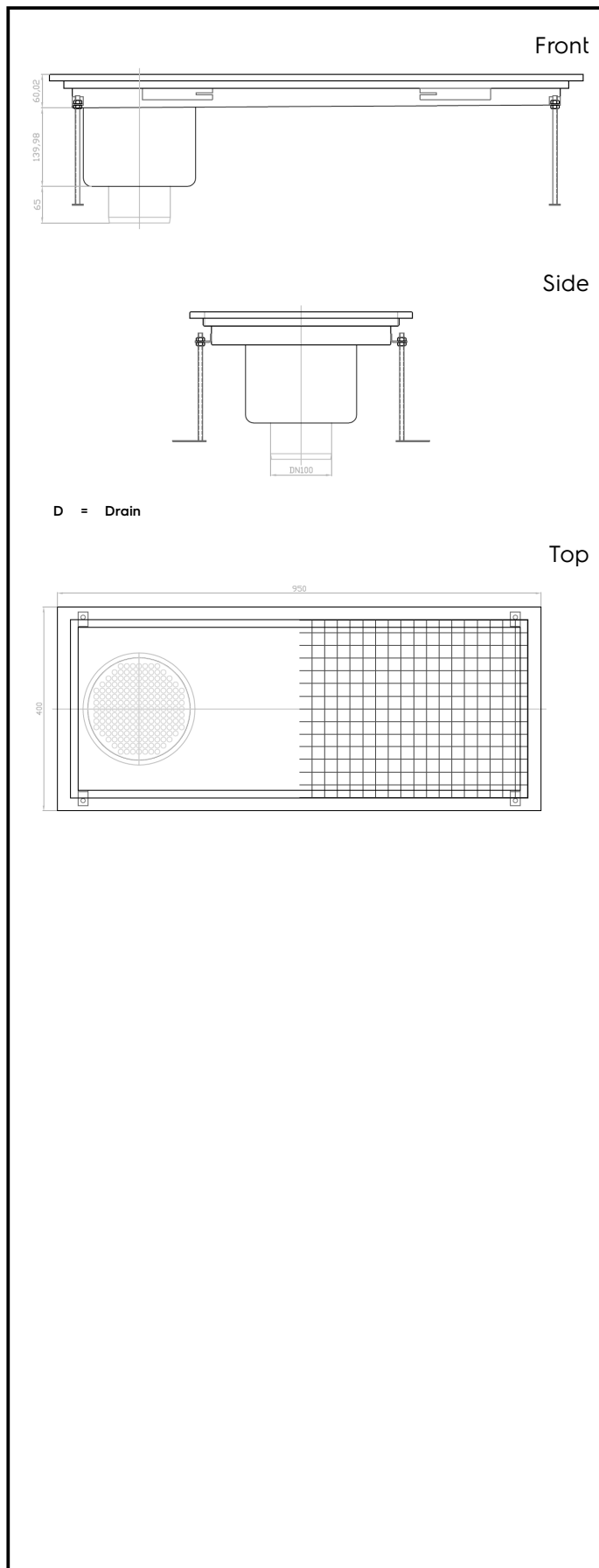
**Construction**

- Adjustable leveling feet.
- Anti-slip mesh 25x25 mm grating, h=25 mm, 1.5 mm in thickness.
- Collecting tanks available with vertical drain pipe.
- Constructed entirely in 304 AISI stainless steel.

APPROVAL: \_\_\_\_\_



Experience the Excellence  
[www.electroluxprofessional.com](http://www.electroluxprofessional.com)



### Key Information:

External dimensions, Width:	328053 (FDA40100)	950 mm
External dimensions, Depth:		400 mm
External dimensions, Height:		265 mm
Net weight:		20 kg